



# Spec Sheet

## DVA M2M + M2S

**M2M:** 2-Way Active Line Array Module  
2x6,5"/2x1", 800W **Digipro G3**

**M2S:** Slave Module for M2M  
2x6,5"/2x1"



### Applications

- Live sound for rental application for small and mid-size venues
- Permanent installation in theatres, houses of worship, convention centres
- Portable PA, clubs, ballrooms, live theatres

### Features

- 2-Way active line array system
- Innovative Master and Slave concept
- Integrated hardware with innovative Fast lock mechanics
- Lightweight and elegant premium design
- Dual phase plug design for an extremely precise dispersion
- 200+200W RMS Digipro® G3 Class-D Amplifier (800W Peak Power)
- Hi end digital controller on board (DSP)

### Description

The DVA M2M and DVA M2S are part of the modular system called DVA MINI. The MINI series sets a new benchmark for easy-to-use systems with top-range sound performance. It offers the same hallmark user-friendliness and sound quality of its DVA predecessors, but in addition uses an innovative mechanical fastening method and a Master + Slave design for simplified system setup, wiring and less overall total weight.

The DVA MINI series can be used in ground stack configuration or suspended in line-array configuration, and it is equally ideal for permanent installation and for concert tours and live music performances that require medium-high sound pressures, limited weight and footprint.

This series is characterized by a very clean

aesthetic and a very discreet look. Even the mechanics are hidden behind the frontal panel, and the elegant curvature of the frontal hexagonal grille contributes to create a very nice looking system for any kind of events where the system should be totally invisible.

The setup and rigging process has been extremely simplified by removing side mechanics and pins in favour of a quick-locking system. You'll simply have to place one module below the previous one, and slide it towards one side until the red lever is up. Mounting the system has never been so easy and accurate!

Low and mid-range reproduction has been extremely optimized by a custom dual phase-plug. This technology significantly improves the mid-range efficiency of the speaker and, most of all, makes the horizontal coverage really homogeneous and consistent.

The high quality reinforced polypropylene enclosure, and the internal hardware anti-vibration structure, makes the M2M and M2S boxes very tough and able to work as heavy-duty professional tools. This feature, together with neodymium transducers and the Digipro® G3 module, the lightest amplifier ever engineered by dBTechnologies, contribute to realize an exceptionally light, durable and powerful line array module.

The low and mid-range reproduction is performed by the two 6.5" neodymium woofers, whose disposition and efficiency is extremely optimized thanks to the custom dual phase-plug. The two 1" drivers, finely tuned for the DVA M2 custom designed array horns, deliver a crystalline clear sound in high frequency, in order to provide to the audience the same intelligibility of the DVA line array systems. The neodymium magnets improve reliability and performance of M2 modules, and contribute to contain the overall weight of the M2M speaker under 7.7 kg/16.8 lbs., and under 7.1 kg/15.7 lbs. for the M2S module.

# DVA M2M + M2S

## Technical Specifications

### System Specifications

Speaker Type	M2M M2S	2-Way Active Line Array Module Slave Module (no internal Xover) for M2M Line Array Module
--------------	------------	--

### Acoustical Data

Frequency Response	[- 6dB] [- 10dB]	78 - 19.000 Hz 68 - 20.000 Hz
Max SPL	One Unit	126 dB
HF Type HF Voice Coil HF		2x1" Neodymium 1"
LF Type LF Voice Coil LF		2 x 6.5" Neodymium 1.5"
Directivity		90° x 15° Single unit

### Amplifier

Amp Technology		Digipro® G3
Amp Class RMS Power	HF Amp LF Amp	Class D 200 W (100 W for M2M + 100 W for M2S) 200 W (100 W for M2M + 100 W for M2S)
Cooling		Convection

### Processor

Controller		DSP 56 bit
AD/DA Converter		24 bit/48 kHz
System Presets		9 presets (8 x HF and Low-Mid corrections, 1x for service use)
Limiter		Multiband, RMS/Peak, Thermal
Crossover Frequency LF-HF		1800 Hz
Slope LF-HF		24 dB/Octave

### Input

Signal Input		1x XLR fem, Bal.
Signal Output		1x XLR male, Bal.
Power Supply		400W SMPS with PSU Auto-range (110V~ and 220V~)
Power Socket		1x PowerCon In 1x PowerCon Out
Signal Input M2S		1 Custom Connector

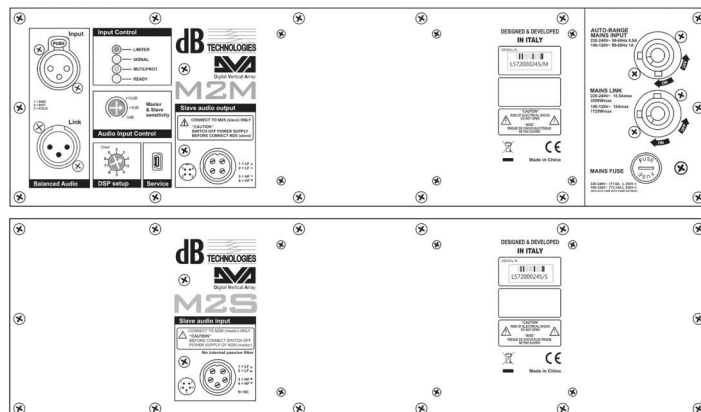
### Mechanics

Housing		Polypropylen PP
Handles		2 x back side
Fittings		Integrated hardware with fast lock mechanics
Splay Angles		0° - 1,5° - 3° - 4,5° - 6° - 8° - 10° - 12,5° - 15°
Dimension (WxHxD)		460 x 190 x 345 mm 18.1 x 7.5 x 13.6 in
Weight	M2M M2S	7.7 kg - 16.8 lbs. 7.1 kg - 15.7 lbs.

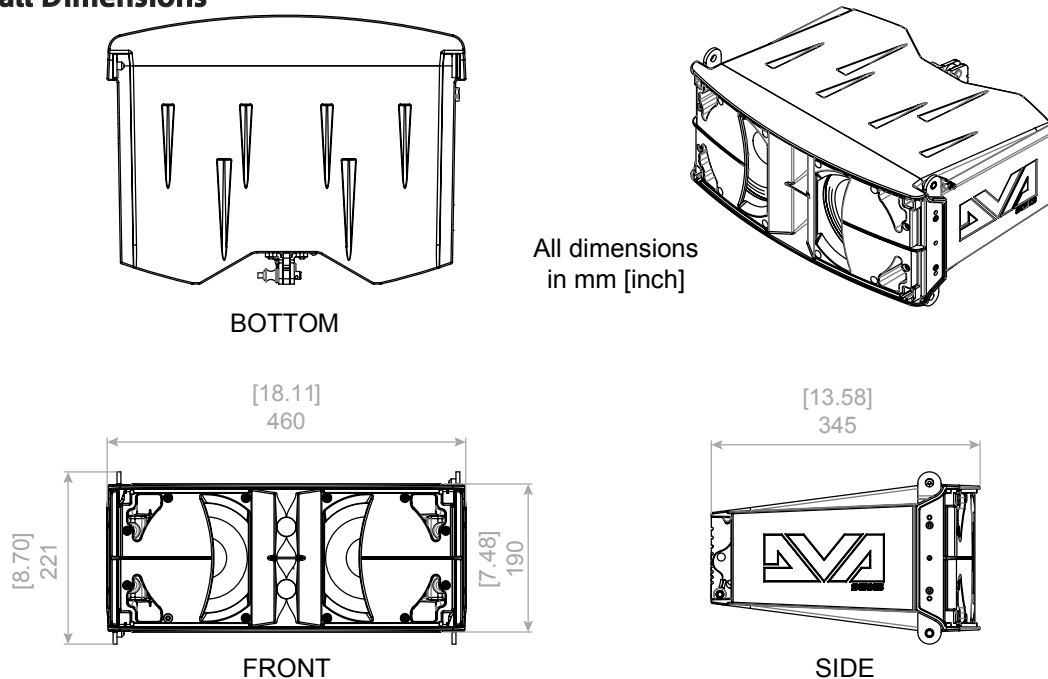
# DVA M2M + M2S

## Technical Specifications

### Rear Panels



### Overall Dimensions



All dimensions in mm [inch]

### Accessories

DAC 15	XLR-XLR audio cable (50 cm)
DCK 15	Cable-set with one Powercon Patch Cable (50cm) and one XLR-XLR Patch Cable (50cm)
DCK 27	Cable-set with 2 x Powercon links 70cm blue/grey and 2 x XLR M/F 70 cm
DCK 45	Set with 1xPowercon/IEC cable 10m, 3xPowercon slave 50cm, 3xXLR patch cable 50cm
DPC 15	Powercon-Powercon power link cable (50cm)
DRK-M5	Fly bar for hanging up to 16 DVA Mini modules
DSA-M2	Pole mount adapter for DVA Mini modules
RC M2	Rain cover for DVA Mini M2M and M2S

[info@dbtechnologies.com](mailto:info@dbtechnologies.com) [www.dbtechnologies.com](http://www.dbtechnologies.com)

dBTechnologies products are continually improved. All specifications are therefore subject to change without notice.